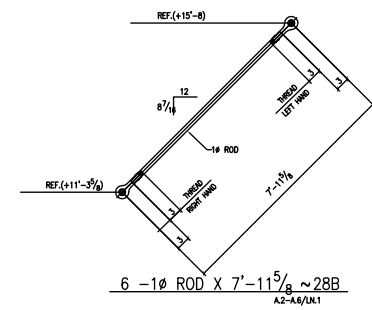
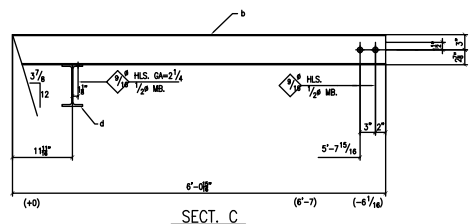
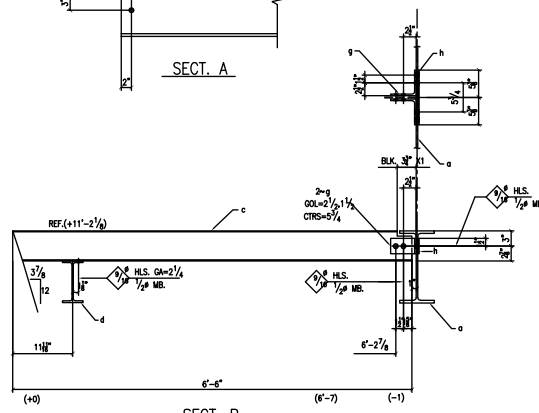
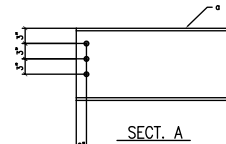


ONE-FRM ~ 28A
NEAR UN/A2-A6/UN.1



BILL OF MATERIAL						
NO. REQD	MARK	DESCRIPTION	LENGTH		REMARKS	WEIGHT
			FT.	INS.		
28A	ONE	FRAME				
a	1	W14X38	31	7 3/8	A992	
b	2	WBX9	6	0 15/16	A588	
c	12	WBX9	6	6	A588	
d	1	WBX15	33	6	A588	
f	6	PL 1/2 X 3	0	3	A588	
g	24	LSX5X 5/16	0	3	A588	
h	12	PL 1/4 X 3	0	10 3/4	A588	
28B	6	1# ROD	7	11 5/8	A588 W/2 CLEAVISES	
FIELD BOLTS (NET)						
4	1/2# MB. (GALV.)	0	1 1/4	A307		
12	3/8# MB. (GALV.)	0	2 3/4	A307		
24	1/2# MB. (GALV.)	0	2 1/4	A307		
48	1/2# MB. (GALV.)	0	1 1/2	A307		
ALL MAT'L A36 UN.						

PART	1 S/C PRIMER (UN)	REV.
WOLFS	1/16 UN.	Δ REV/PER APP'LY
WELD.	-	Δ
DRIP.	-	Δ
DEB.	-	Δ
RECO.	-	Δ
JOB PHONE	-	Δ

MERIT STEEL
 A DIVISION OF MERIT/UNION
 STRUCTURAL STEEL RESEARCH
 CORPORATION, INC.
 P.O. BOX 437-0003
 Fax: (949) 437-0033
 e-mail: admin@meritsteel.com
 1530 Ocala Ave., Long Beach, CA 90813

PROJECT THE ORCHARD STONE CREEK
 NWC of I-215 & CLINTON-KEITH ROAD MURRIETA, CA

TITLE FRAME

FOR	HEIL CONSTRUCTION	JOB NO.	DRAWING NO.
REV.	DWN. CHK. BYN POE/CM OCT 20	1374	28 1

PDA Consulting
CONFIDENTIAL